

PT4194 Series

PT4194 SERIES INCLUDES PT4194,
PT4194"A", TPT4194 & TPT4194"A"



Description

The Dynisco PT4194 Series transmitter is a +/- 0.5% sensor ideal for food or medical applications requiring simple installation, repeatability and reliability. The food grade oil fill material meets FDA requirements 21 CFR 178.3620, 21 CFR 172.878 and 21 CFR 573.680. The PT4194 transmitters provide the industry standard 4 - 20 mA amplified signal designed to work with DCS and PLCs. The PT4194 comes equipped with the NEW Auto-Zero functionality. Auto-Zero provides the user the ability to install the transmitter right out of the box with just using the zero push button after installation. Optional thermocouple or RTD configurations are available to provide melt temperature. The PT4194 features a 1/2-20 UNF thread for simple and easy installation in standard transducer mounting holes.

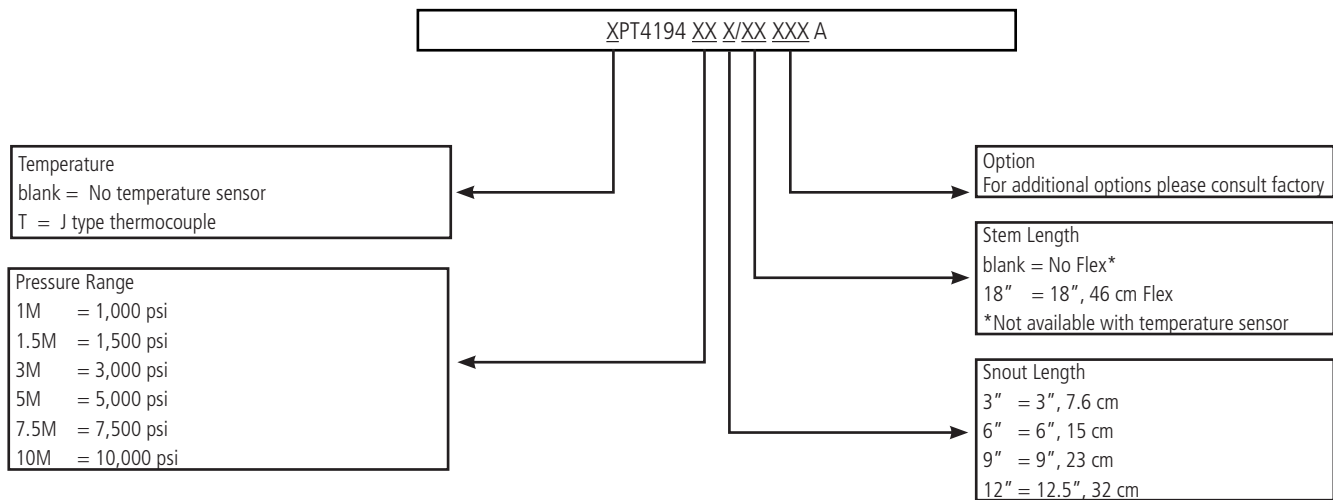
Features

- Auto-Zero functionality
- Oil fill meets FDA requirements
- Accuracy better than +/- 0.5%
- DyMax™ coated convoluted SST wetted parts
- 4 - 20 mA output
- No span or zero pots
- No calibration required
- Ideal for medical and food extrusion
- Repeatable, reliable pressure measurements
- Superior abrasion resistance
- Direct input to supervisory control systems
- Ready to use out of the box, just Auto-Zero

Performance Characteristics	
Output:	4 - 20 mA
Input Voltage:	14 - 36 Vdc
Accuracy:	+/- 0.5% FSO*
Repeatability:	+/- 0.2%FSO
Configuration:	Four-arm bonded foil Wheatstone bridge strain gage
Load Resistance:	0 - 1,100 Ohms
Over Pressure:	2 X FSO
Internal Shunt Calibration	(R-Cal): 80% FSO +/- 0.5%
Insulation Resistance:	1000 megohms @ 50 Vdc
Temperature & Mechanical Characteristics	
Max Diaphragm Temperature:	527°F (275°C)
Zero Shift (due to temperature change):	36 psi/100°F Typical (65 psi/100°C)
Electronics Operating Temperature:	-20°F to 185°F (-25°C to 85°C)
Zero Shift Due to Temperature Change:	+/- 0.05% FS/°F max (+/- 0.10% FS/°C max)
Mounting Torque:	500 inch/lbs. maximum
Standard Wetted Parts:	DyMax™ coated 15-5 PH SST

*The organic oil fill may be susceptible to gas generation at high temperatures for extended periods which may affect zero value (and therefore accuracy). Request the product manual for a full explanation and recommended procedure to eliminate any observed offset.

Ordering Guide for PT4194 Series

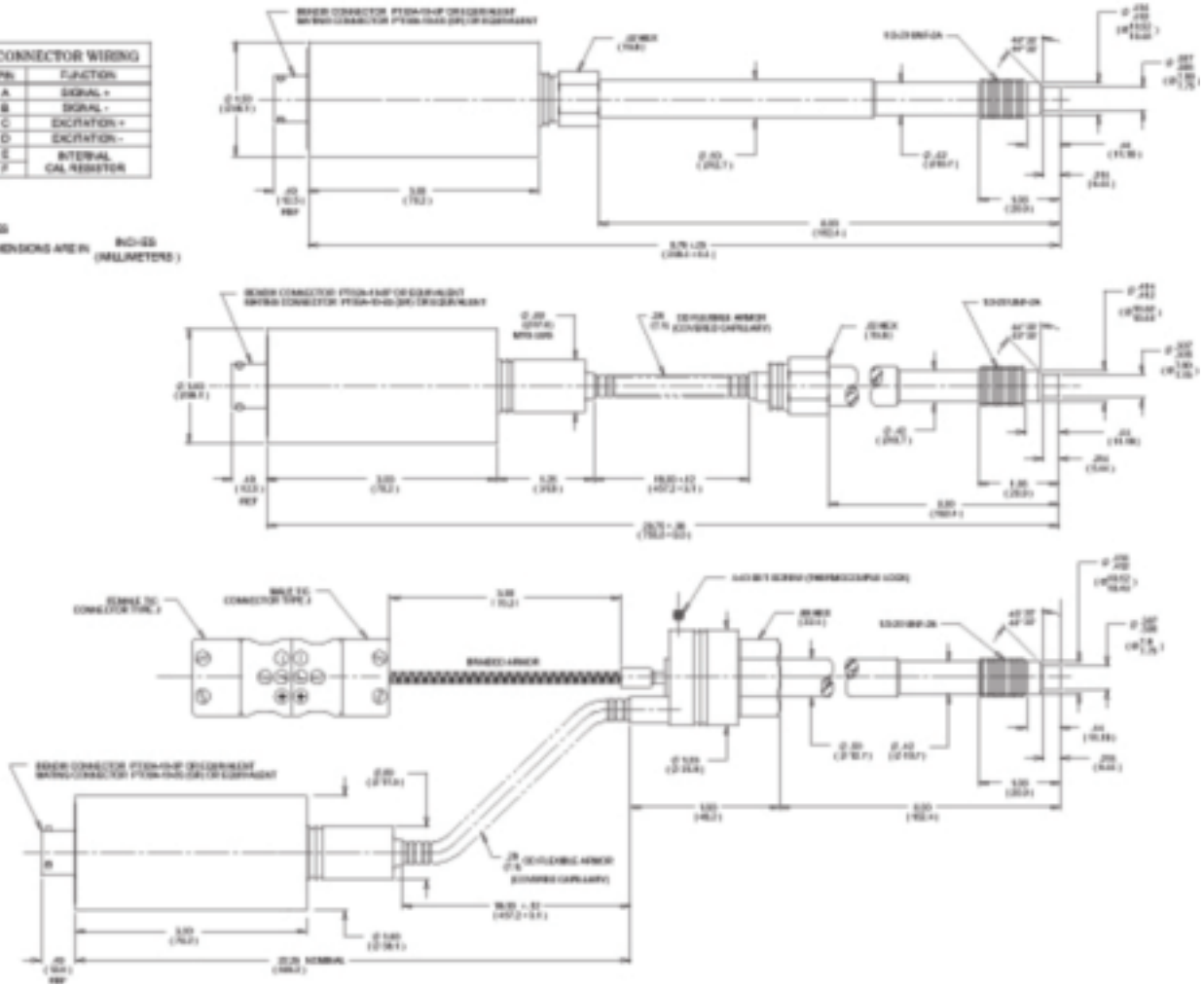


Standard mating connector Dynisco P/N 711600 or 6-pin mating connector cable assembly. Accuracy may be affected if non-standard configurations are used. For additional options please consult factory.

Dimensions

Pin	Function
A	SIGNAL +
B	SIGNAL -
C	EXCITATION +
D	EXCITATION -
E	INTERNAL CAL RESISTOR
F	

NOTE:
1. DIMENSIONS ARE IN INCHES (MILLIMETERS)



All dimensions are inches (mm) unless otherwise specified.
 ©2016. Dynisco reserves the right to make changes without notice.
 Refer to www.dynisco.com for access to Operator Manual and other support documentation.
 DSPT4194SERIES
 Rev: 1216



www.dynisco.com

Dynisco
 38 Forge Parkway
 Franklin, MA 02038
 USA
 Hotline 1-800-Dynisco
 www.dynisco.com
 Phone +1 508 541 9400
 Fax +1 508 541 6206
 Email infoinst@dynisco.com

Dynisco Europe, GmbH
 Pfaffenstr. 21
 74078 Hellbronn
 Germany
 Phone +49 7131 297 0
 Fax +49 7131 297 166
 Email dyniscoeurope@dynisco.com

Dynisco Shanghai
 Building 7A, No. 568
 Longpan Rd Malu
 Jiading, 201801 China
 Phone +86 21 34074072-819
 Toll Free +86 400 728 9117
 Fax +86 21 34074025