



PT338 High Temperature, Rugged Test Transducer

*WITHSTANDS THE MOST
EXTREME OPERATING CONDITIONS*



Description

Dynisco's PT338 High Temperature, Rugged Test Transducer withstands the most extreme operating conditions. Its extremely tight thermal characteristics include temperature effects on zero and span of $\pm 0.004\%$ full scale. Its rugged construction resists shock and vibration and provides reliable pressure measurement up to 10,000 PSI.

Features

- 3 mV/V full scale output
- Accuracy $\pm 0.50\%$
- Pressure ranges 0-15 PSI to 0-10,000 PSI
- Wide operating temperature range
- Superior temperature characteristics
- All welded stainless steel construction
- Hermetically sealed
- Internal 80% shunt calibration

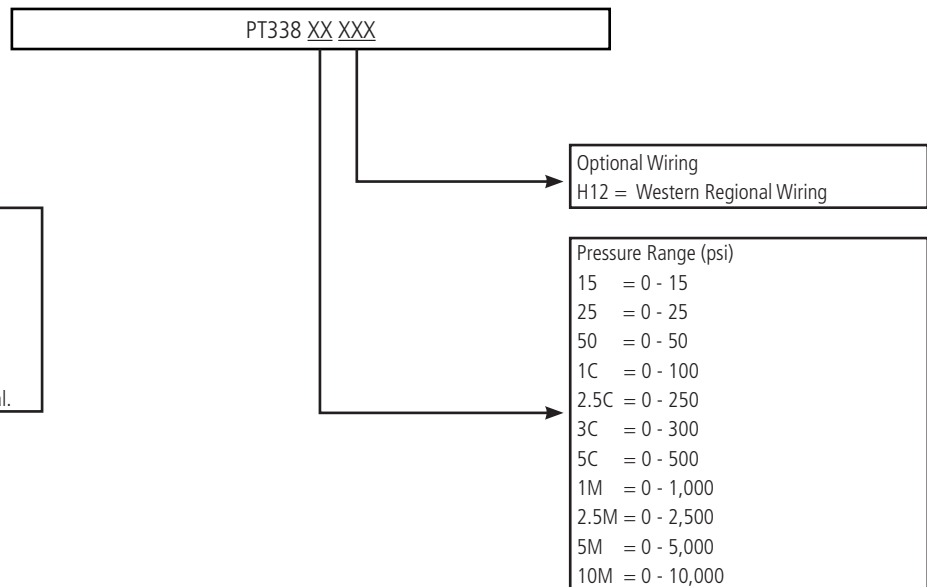
Performance Characteristics	
Pressure Range (psi):	0 - 15, 0 - 25, 0 - 50, 0 - 100, 0 - 250, 0 - 300, 0 - 500, 0 - 1,000, 0 - 2,500, 0 - 5,000, 0 - 10,000
Accuracy:	±0.5% full scale including linearity, hysteresis and repeatability
Full Scale Output:	3 mV/V ±1.0% typical (±2.0% maximum)
Zero Balance:	±1.0% typical (±2.0% maximum)
Electrical Characteristics	
Input Resistance:	420 Ohms ±20%
Output Resistance:	370 Ohms ±10%
Internal Shunt Calibration:	80% ±0.5% full scale typical (±1.0% maximum)
Excitation:	10 Vdc recommended, 15 Vdc maximum

Temperature Characteristics	
Operating Range:	-65°F to +310°F (-54°C to +155°C)
Compensated Range	-40°F to +300°F (-40°C to +150°C)
Temperature Effect On Zero:	±0.004% full scale/°F (±0.007% full scale/C°)
Temperature Effect On Span:	±0.004% full scale/°F (±0.007% full scale/C°)
Mechanical Characteristics	
Safe Overpressure:	2 x rated pressure
Burst Pressure:	5 x rated pressure
Wetted Material:	17 - 4 PH, 15 - 5 PH stainless steel
Cover Material:	303, 304 stainless steel
Weight:	Approximately 5 ounces

Ordering Guide for PT338 Series

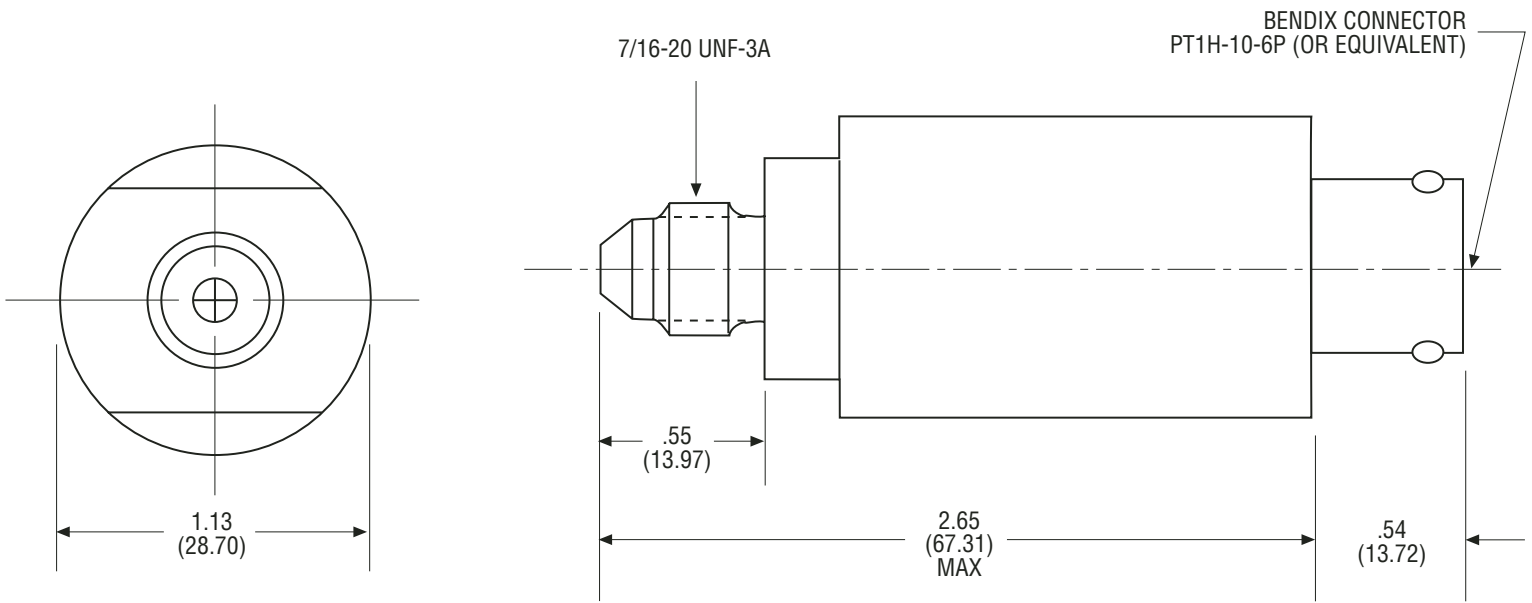
Connector Wiring

	Pin	
STD	H12 Option	Function
A	B	Signal+
B	C	Signal-
C	A	Excitation+
D	D	Excitation-
E, F	E, F	Int. Shunt Cal.




Mating connector PN/711600 or 6 - pin cable assembly sold separately. For additional options please consult factory.

Dimensions



All dimensions are inches (mm) unless otherwise specified.

All dimensions are inches (mm) unless otherwise specified.
 ©2016. Dynisco reserves the right to make changes without notice.
 Refer to www.dynisco.com for access to Operator Manual and other support documentation.
 DSPT338
 Rev: 0117 



www.dynisco.com

Dynisco
 38 Forge Parkway
 Franklin, MA 02038
 USA
 Hotline 1-800-Dynisco
 www.dynisco.com
 Phone +1 508 541 9400
 Fax +1 508 541 6206
 Email infoinst@dynisco.com

Dynisco Europe, GmbH
 Pfaffenstr. 21
 74078 Hellbronn
 Germany
 Phone +49 7131 297 0
 Fax +49 7131 297 166
 Email dyniscoeurope@dynisco.com

Dynisco Shanghai
 Building 7A, No. 568
 Longpan Rd Malu
 Jiading, 201801 China
 Phone +86 21 34074072-819
 Toll Free +86 400 728 9117
 Fax +86 21 34074025