

Dynisco Melt Monitor Alarm Series



Description

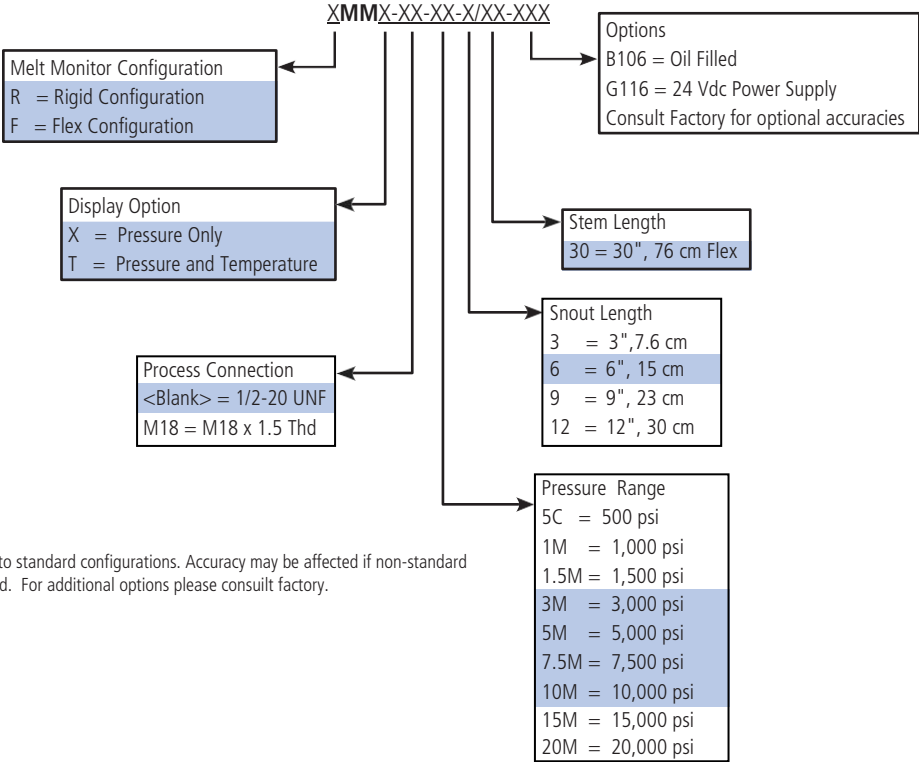
The Dynisco Melt Monitor Alarm Series is a melt pressure transducer with an integral digital display. An optional temperature measurement is available. The Melt Monitor has been designed for the rigorous environments of the plastics extruder. Standard features, including the digital auto-zero and peak display function provides easy operation with an accurate pressure measurement. With the optional built in temperature sensor, the display is capable of providing both process pressure and temperature simultaneously. The Melt Monitor comes standard with two programmable alarm relays. The alarms can be programmed for either manual or automatic reset and early warning indication. In addition, these models are provided with two digital inputs for remote reset and remote zero, as well as 4 - 20 mA, 0 - 10 Vdc and 1 - 5 Vdc user selectable, retransmission of the pressure signal.

Features

- Dual 5-digit display
- Peak display function and digital auto-zero
- Programmable alarm relays
- Optional 4-20 mA, 0-10 Vdc retransmission
- Accuracy better than $\pm 0.5\%$
- Customer defined engineering units
- Melt pressure and optional temperature displayed
- Alarm setpoint can be displayed for pressure
- Manual and automatic reset and early warning
- Send high level signals to DCS or PLC
- Accurate over a wide range of temperatures
- Available in PSI, bar, MPa or kg/cm^2

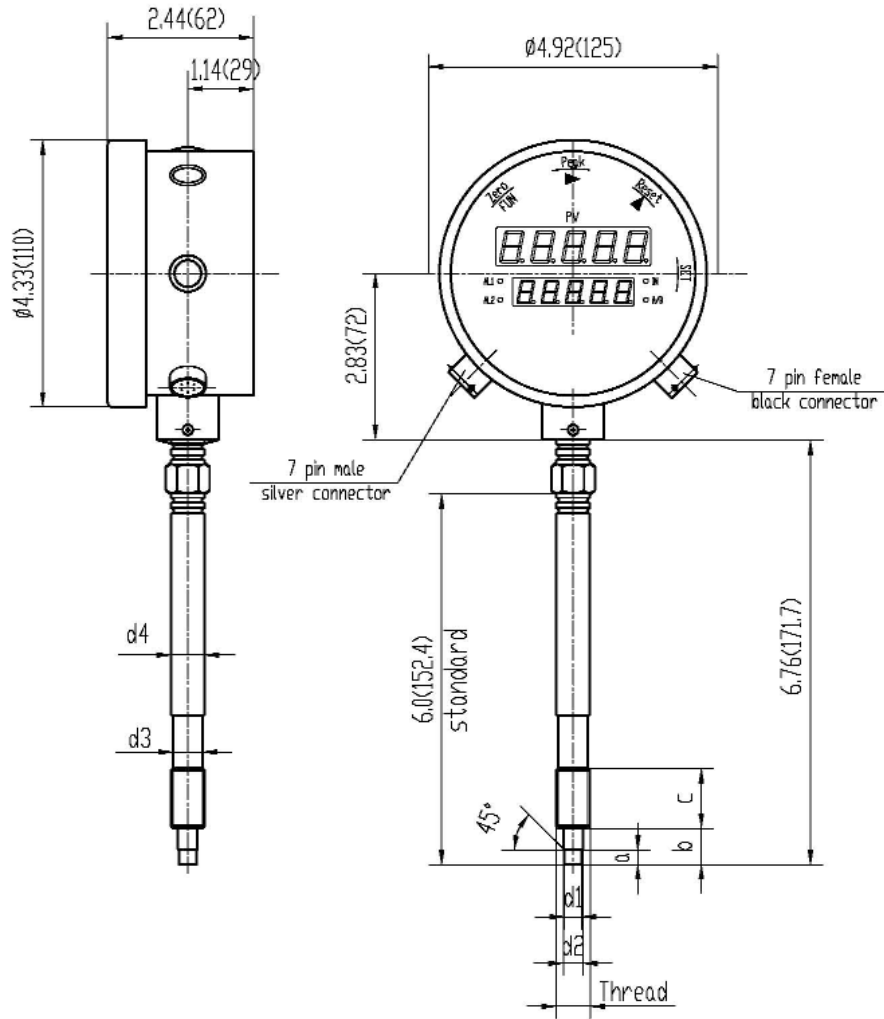
Performance Characteristics	
Ranges:	0-500 to 0-20,000 psi
Accuracy:	
Pressure:	±0.5%
Temperature:	±0.5%
Sampling Speed:	0.02 mS
Power Supply:	Universal 110/220 Vac or 24 Vdc (optional)
Displays:	5-digit LED's, 0.5" Primary and 0.4" Secondary
Pressure:	PSI, bar, MPa or kg/cm ²
Resolution:	1 PSI, 0.1 bar, 0.01Mpa or 0.1kg/cm ²
Temperature:	°C or °F
Resolution:	0.1°C or 0.1°F
LED's:	Alarm 1, Alarm 2, IN (Reset), A/B (MODBus)
Temperature & Mechanical Characteristics	
Electronics Temp. Range:	32 to 158°F (0 to 70°C)
Max Diaphragm Temp:	750°F (400°C)
Humidity:	Less than or equal to 80%
Optional Temp. Compensation:	70 to 615°F (20 to 325°C)
Electrical Termination:	2-7 pin connector (included)
Alarms:	(2) -1-SPDT + 1-SPST relay, 110 - 220 Vac
Alarm Range Resolution:	00001 - full scale value
Digital Inputs:	remote-zero and remote-reset
Retransmission Outputs:	4-20 mA, 0-10 Vdc, 1-5 Vdc
Communications:	RS-485 MODBus - RTU
Weight:	2.5 to 3.5 lbs.

Ordering Guide

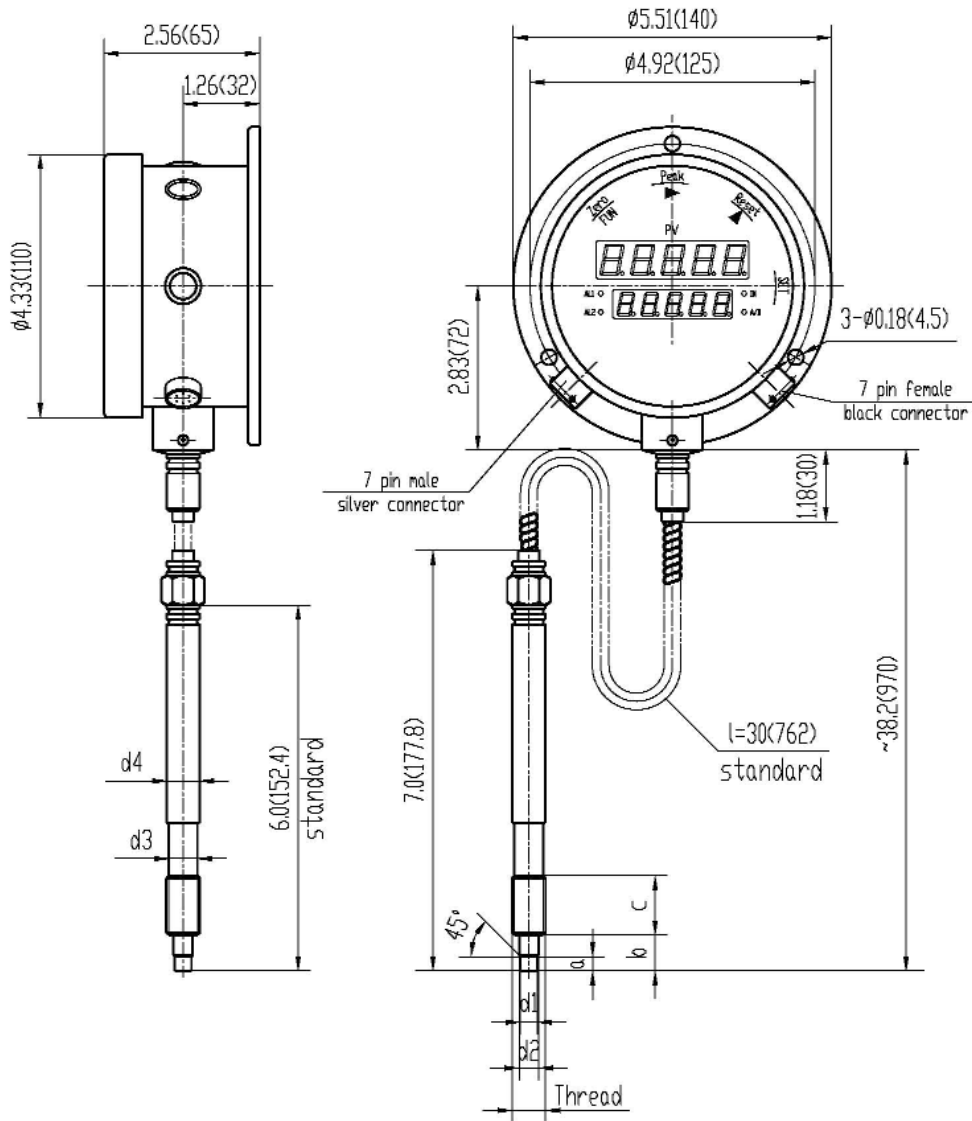


Shaded sections refer to standard configurations. Accuracy may be affected if non-standard configurations are used. For additional options please consult factory.

Dimensions



Thread	D1	D2	A	B	C	D3	D4
1/2-20	0.307(7.8) 0.303(7.7)	0.413(10.5) 0.407(10.35)	0.217(5.5) 0.211(5.35)	0.441(11.2) 0.233(11.0)	0.629(16.0)	0.41(10.5)	0.5(12.7)
M18 x 1.5	0.394(10.0) 0.386(9.8)	0.610(15.5) 0.602(15.3)	0.236(6.0) 0.230(5.85)	0.551(14.0) 0.543(13.8)	0.787(20.0)	0.63(16.0)	0.669(17.0)



Thread	D1	D2	A	B	C	D3	D4
1/2-20	0.307(7.8) 0.303(7.7)	0.413(10.5) 0.407(10.35)	0.217(5.5) 0.211(5.35)	0.441(11.2) 0.233(11.0)	0.629(16.0)	0.41(10.5)	0.5(12.7)
M18 x 1.5	0.394(10.0) 0.386(9.8)	0.610(15.5) 0.602(15.3)	0.236(6.0) 0.230(5.85)	0.551(14.0) 0.543(13.8)	0.787(20.0)	0.63(16.0)	0.669(17.0)



©2016. Dynisco reserves the right to make changes without notice.
Refer to www.dynisco.com for access to Operator Manual and other support documentation.
DDS276098 DS091014

www.dynisco.com

Dynisco
38 Forge Parkway
Franklin, MA 02038
USA

Hotline 1-800-Dynisco
www.dynisco.com
Phone +1 508 541 9400
Fax +1 508 541 6206
Email infoinst@dynisco.com

Dynisco Europe, GmbH

Pfaffemstr. 21 Phone +49 7131 2970
74078 Hellbronn Fax +49 7131 297 166
Germany Email dyniscoeurope@dynisco.com

Dynisco Shanghai

Building 7A, No. 568 Phone +86 21 34074072-819
Longpan Rd Malu Toll Free +86 400 728 9117
Jiading, 201801 China Fax +86 21 34074025