

Dynisco Burst Plugs with Burst Indication

RELIABLE, SECURE PRESSURE-RELIEF SYSTEM



Description

The Dynisco Model BP520 burst plugs are custom assemblies with pop-top burst indication that are a design option on extruder barrel assemblies. Burst Plugs (also known as rupture disks) are designed for reliable, emergency relief of excess pressure in a system. The Model BP520 is installed on barrel bodies with hex ends, where the hex OD (across flats) is larger than the burst plug body. The metal retainer strap is held in place by the hex and the metal 'T' shaped cap is fastened to the other end of the strip. A 2mm hole is drilled through the body and cap. A burst indicator wire is passed through the hole and when the disk ruptures, the T-cap 'pops open' shearing off the BI wire and indicating a burst to the control system.

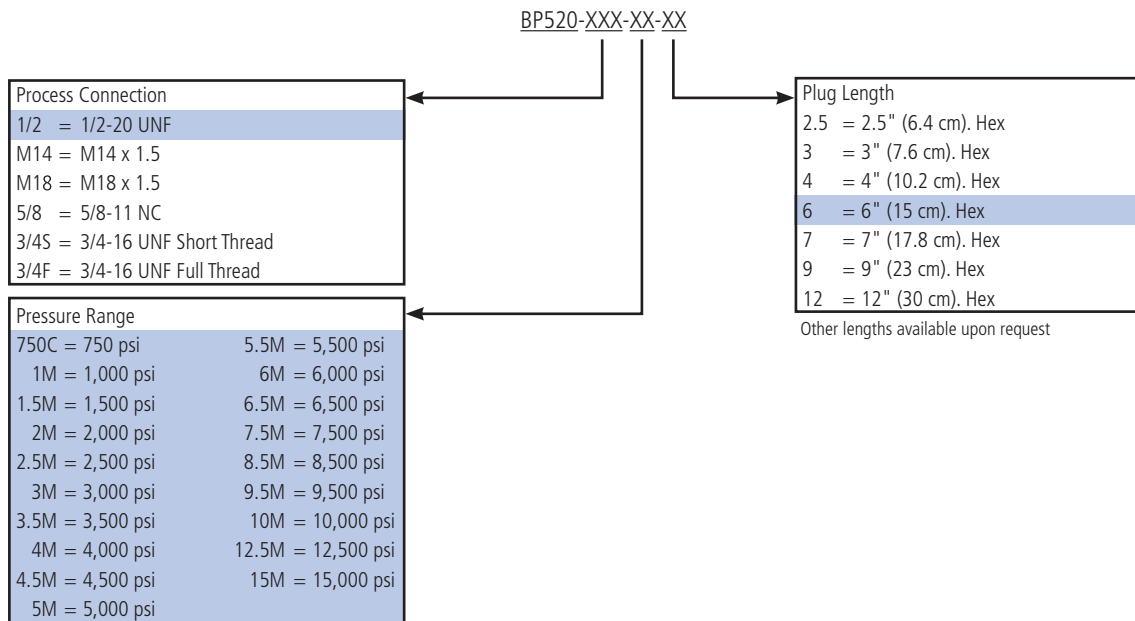
Features

- Each welded assembly consists of a threaded tubular body with a rupture disk welded onto the process end
- Welded one piece assembly – no degradation of joint strength at elevated temperatures
- Iconel rupture disk – stable through a wide range of temperatures
- Burst ratings 750 to 15,000 psig (for higher pressures contact Dynisco)
- Burst tolerance $\pm 10\%$
- Typical Standard Deviation is $\pm 1\%$
- 100% leak tested
- 100% electronic thread verification

Assembly Specifications	
Material of Construction:	
Body:	304 stainless steel
Disk Material:	Inconel
Disk Size:	3/16" (4.8 mm) disk
Process Connection:	1/2-20 UNF-A threaded
Accuracy:	±10% @ 300°C (750°F)
Approvals and Certifications	
ISO:	ISO 4126-6:2003(E)
CE:	
PED 97/23/EC, modules B&D	
Burst Certification:	Each unit is test burst certified
Mounting Torque:	Not to exceed 300 in/lbs.

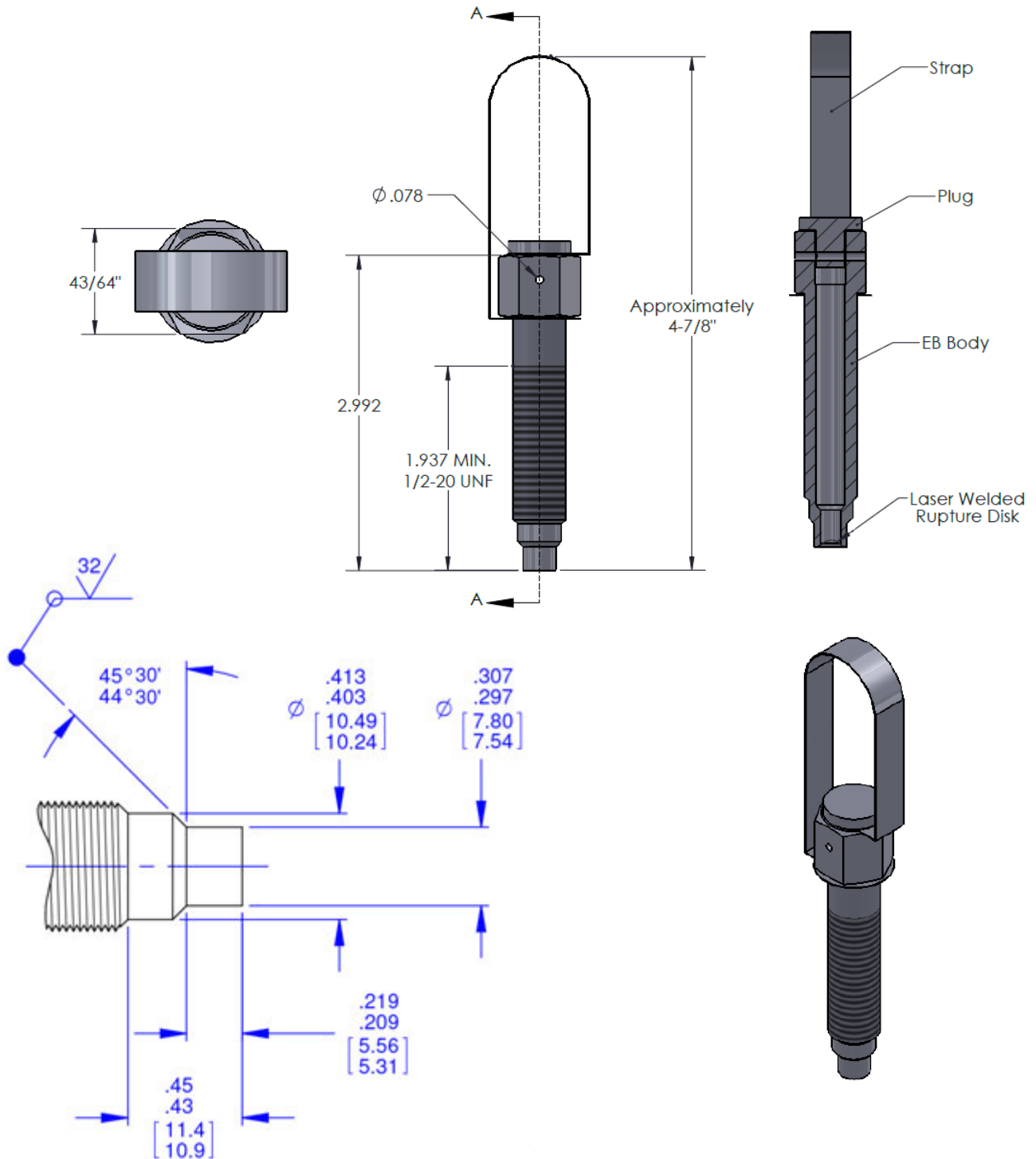
*Burst testing shall be carried out at ambient temperature and then chart compensated using a certified temperature correction factor.

Ordering Guide



Shaded sections refer to standard (short lead time) configurations. Consult the factory for other configurations that may be available.

Dimensions



©2016. Dynisco reserves the right to make changes without notice.
 Refer to www.dynisco.com for access to Operator Manual and other support documentation.
 DSBPINDICATOR 0416



www.dynisco.com



Dynisco
 38 Forge Parkway
 Franklin, MA 02038
 USA

Hotline 1-800-Dynisco
www.dynisco.com
 Phone +1 508 541 9400
 Fax +1 508 541 6206
 Email infoinst@dynisco.com

Dynisco Europe, GmbH

Pfaffemstr. 21 Phone +49 7131 297 0
 74078 Hellbronn Fax +49 7131 297 166
 Germany Email dyniscoeurope@dynisco.com

Dynisco Shanghai

Building 7A, No. 568 Phone +86 21 34074072-819
 Longpan Rd Malu Toll Free +86 400 728 9117
 Jiading, 201801 China Fax +86 21 34074025