



SPXD

Digital Loop-Powered Field Display



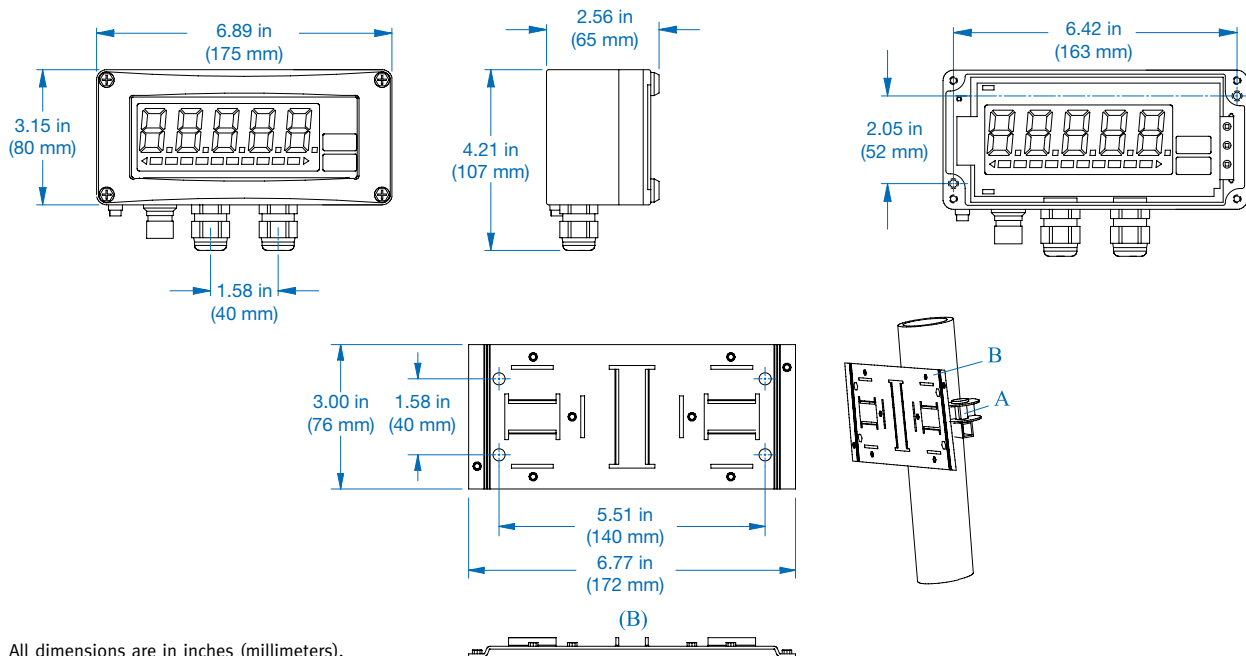
Features

- Easy viewing 5-digit backlit LCD
- Agency certified by FM, CSA, and ATEX
- Graphics trend bar in 10% increments
- 4-20mA pass-through retransmission
- HART compatible
- NEMA 4X (IP66) housing for moisture protection
- UV protected glass display
- Unique moisture barrier prevents display fogging
- Mount directly to the wall or use optional pipe/wall mount kit

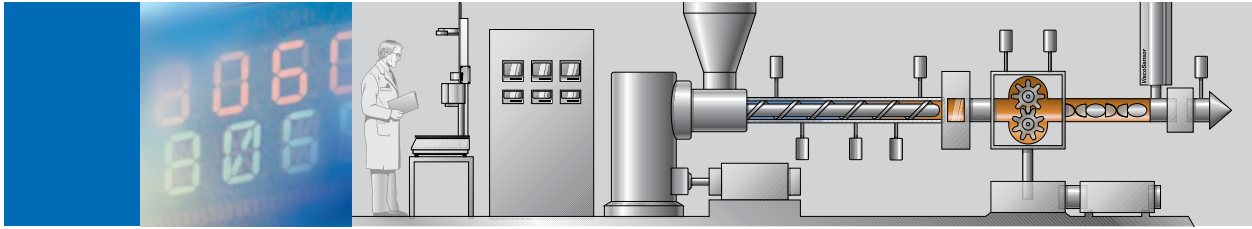


Description

The Model SPXD is a digital loop-powered field display to illustrate any single 4-20 mA process variable. The 5-digit, 1-inch LCD is backlit for easy viewing. Also included is a bar graphics display that shows the measured value in 10% increments. Range setting, decimal placement, offset, and other parameters are easily configured by push button. The SPXD is equipped with a unique pressure-compensating moisture barrier to prevent display fogging in high humidity. The entire package is rated NEMA 4X (IP66) for process application. The 1.8 pound (lb.) unit can be mounted directly to the wall. A wall/pipe mounting kit is optionally available.



All dimensions are in inches (millimeters).



Specifications

PERFORMANCE CHARACTERISTICS

Instrument type:	Digital loop-powered display
Display:	5-digit LCD 1" (26mm) high
Backlit illumination:	Yes, increases with loop current
Bargraph:	10% increments to scale
Range Markers:	Over & Under display
Range:	-19999 to 99999
Offset:	-19999 to 32767
Operation:	Three push button (-, +, E)
Access:	Four front mounted machine screws
Updates:	One second
Accuracy:	<0.1% of scaled analog range

INPUT

Type:	Current
Measurement:	4-20mA (polarity protected)
Voltage Drop (load):	<2 V

OUTPUTS

Signal:	Displayed on LCD
HART protocol:	Will allow transmission

POWER SUPPLY

Type:	4-20mA current loop power
--------------	---------------------------

MECHANICAL & PACKAGING CHARACTERISTICS

Moisture Protection:	NEMA4X (IP66)
Materials:	Housing: Die cast aluminum. Glass inset, UV protected
Mounting Kit (optional):	304 SS
Operating Temperatures:	0-140°F (-20 – +60°C)
Weight:	~1.8 pound (~0.80Kg)
Dimensions, bezel:	6.89"W x 3.15"H x 2.56"D (175mm x 80mm x 65mm)
Connection:	Two 1/2" NPT cable entries. Optional: Two PG11 (M20) cable entries
EMC Immunity:	RF protection to EN 55011, Group 1, Class B
Wire Terminals:	Plug-on screw terminals at 16 AWG Earth-ground connection at 14 AWG

APPROVALS & CERTIFICATIONS

CE Mark:	Fulfills relevant EC directives (89/336/EWG)
Agency approvals:	
FM:	Intrinsically safe Class I, Division 1, Groups A, B, C, D
CSA:	Intrinsically safe Class I, Division 1, Groups A, B, C, D
ATEX:	ATEX II 2(1)G EEx ia IIC T6

Ordering Guide

SPXD-X

<p>Conduit entry:</p> <p>1 = Field housing with M20 conduit entries</p> <p style="background-color: #e0e0e0;">2 = Field housing with 1/2" NPT conduit entries</p>
--

Shaded sections refer to standard configurations that are offered.

©2008. Dynisco reserves the right to make changes without notice. Refer to www.dynisco.com for access to Operator Manual and other support documentation.

Dynisco LLC
38 Forge Parkway
Franklin, MA 02038 (USA)

Phone +1-508-541-9400
Fax +1-508-541-6206
Email infoinst@dynisco.com

Hotline **1-800-Dynisco**

www.dynisco.com