

PG5 Series



Features

- Direct local readings
- Thicker sensing diaphragm than mechanical gauges
- Better stability than mechanical gauges
- Adjustable alarm set point and display (PG55 series)
- Better than 2% accuracy
- Optional temperature configurations

Benefits

- Measure and display pressure in one location
- Additional durability
- Superior vibration resistance
- Critical pressure warning or machine shutdown
- Reliable pressure measurement
- Pressure and temperature measurements

Description

The PG5 Series was developed in response to applications requiring the simplicity of the local pressure indication but with the durability of a pressure transducer. Model configurations can vary based on user requirements. Configurations include either a rigid stem version or a rigid stem with flexible capillary. All rigid versions can be easily modified to stem up configurations for mounting below the extruder barrel. The rigid with flexible capillary version can have an integral thermocouple or RTD to provide melt temperature. The electronic bar graph display can be rotated 285 degrees for increased visibility. The PG55 Series incorporates an adjustable alarm setpoint designed to shutdown equipment or warn operators of critical situations.

Specifications

PERFORMANCE CHARACTERISTICS

Ranges: 0 - 5,000, 0 - 10,000 psi

Input Voltage: 12 Vdc +/- 0.5% AT 25 mA (PG54 Series)

12 Vdc +/- 0.5% AT 60 mA (PG55 Series)

G115 option offers a 110/220 Vac powered 12 Vdc supply mounted to the gauge, otherwise user must supply a 12 Vdc supply.

Combined Error: +/- 2.0% FSO,
(Including Linearity, Repeatability & Hysteresis)

Maximum Pressure: 2 X FSO

Resolution: 2% FSO

Zero Balance : 25% full scale via front panel potentiometer with off scale indication

Type: 51 segment red LED bar graph with over range and under range indication

TEMPERATURE & MECHANICAL CHARACTERISTICS

Max Diaphragm Temperature: 750^oF (400^oC)

Zero Shift (due to temperature change):

15 psi/100^oF Typical (27 psi/100^oC)

Electronics Maximum Temperature: 185^oF (85^oC)

Ambient Temperature Effect:

Zero: <0.075% FS/^oF max, **Span:** <0.025% FS/^oF max

Mounting Torque: 500 inch/lbs. maximum

Standard Wetted Parts: DyMax™ coated 15-5 PH SST

ALARM CHARACTERISTICS (PG55 Series)

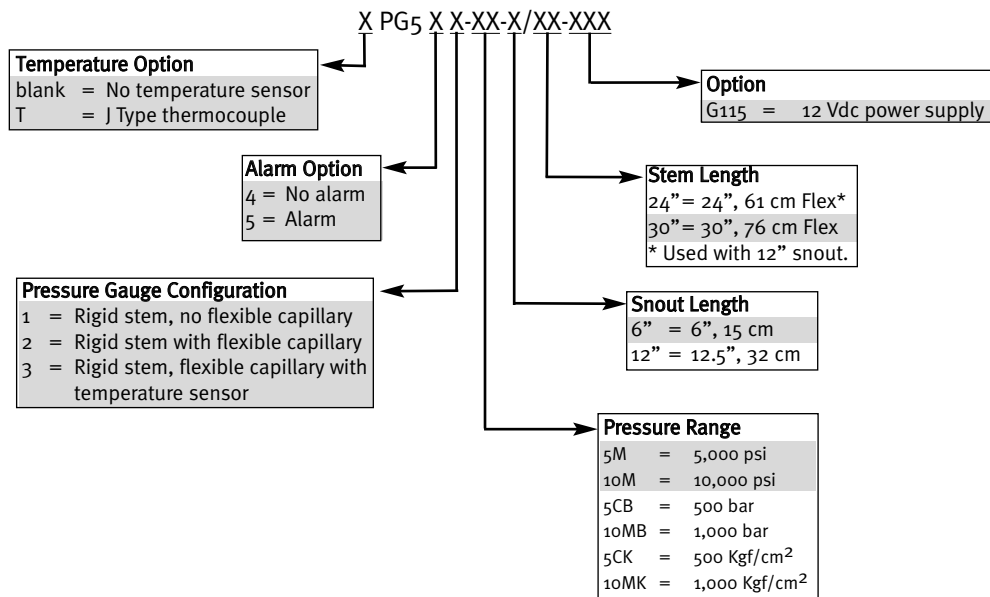
Indication: Front panel LED to indicate alarm condition

Hysteresis: +/- 1.0% full scale maximum

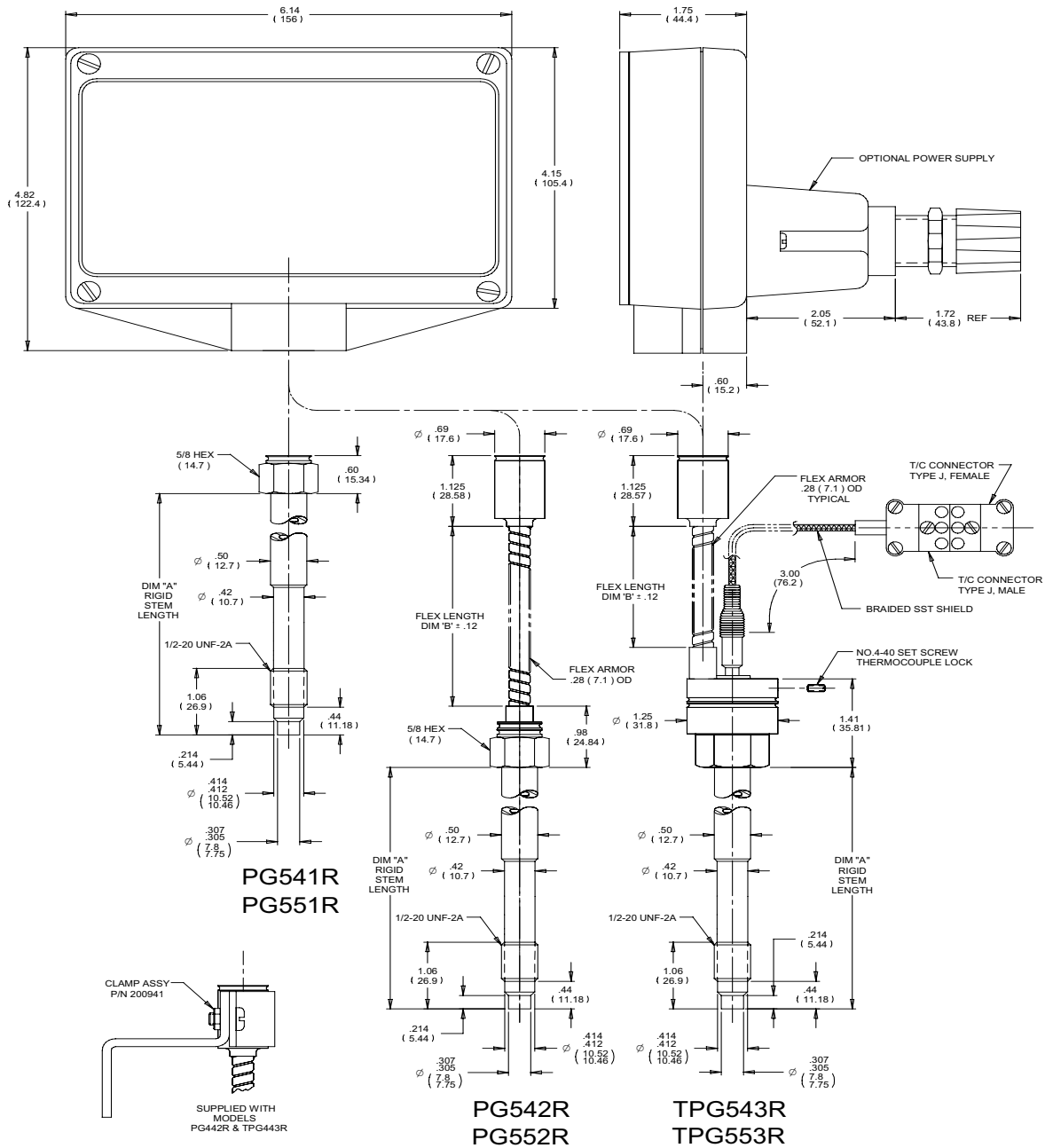
Relay Contact Rating: 5A at 115Vac, resistive



Ordering Guide



Shaded sections refer to standard configurations. Accuracy may be affected if non-standard configurations are used. For additional options please consult factory.



All dimensions are inches (mm).