

# Dynisco PT465XL

NOZZLE PRESSURE TRANSDUCERS FOR  
INJECTION MOLDING APPLICATIONS



## Description

The PT465XL measures polymer melt pressure in an injection molding machine nozzle or a hot runner. A protective flexible armored cable extends from its electronic housing to the tip for unmatched strength and increased life. Located in the nozzle, the PT465XL provides a very accurate measurement of the pressure of the plastic melt entering the mold.

## Features

- 1" flex bend radius
- Inconel 718 diaphragm
- Free spinning jam nut
- Better than  $\pm 0.5\%$  accuracy
- Up to 750°F (400°C) melt temperatures
- Minimum mounting space design
- Extra abrasion/corrosion resistance
- Ease of Installation
- Accurate measurement
- Ideal for high temperature processes

## Ordering Guide

PT465XL-XX

Pressure Range (psi)
3M = 0 - 3,000
5M = 0 - 5,000
7.5M = 0 - 7,500
10M = 0 - 10,000
15M = 0 - 15,000

Note: 30,000 psi model available. Please consult factory.

- Mating connector P/N711600 or 6-pin cable assembly sold separately.

## Performance Characteristics

<b>Ranges:</b>	0 - 3,000 psi, 0 - 5,000 psi, 0 - 7,500 psi, 0 - 10,000 psi, 0 - 15,000 psi, 0 - 20,000 psi, 0 - 30,000 psi
<b>Accuracy:</b>	±0.5% full scale
<b>Repeatability:</b>	±0.2% FSO

## Electrical Characteristics

<b>Configuration:</b>	Four active arm bonded Wheatstone bridge strain gage
<b>Bridge Resistance:</b>	Input: 345 Ohms minimum; Output: 350 Ohms ±10%
<b>Full Scale Output:</b>	3.33 mV/V ±2.0%
<b>Zero Balance:</b>	±10% full scale

## Temperature Characteristics

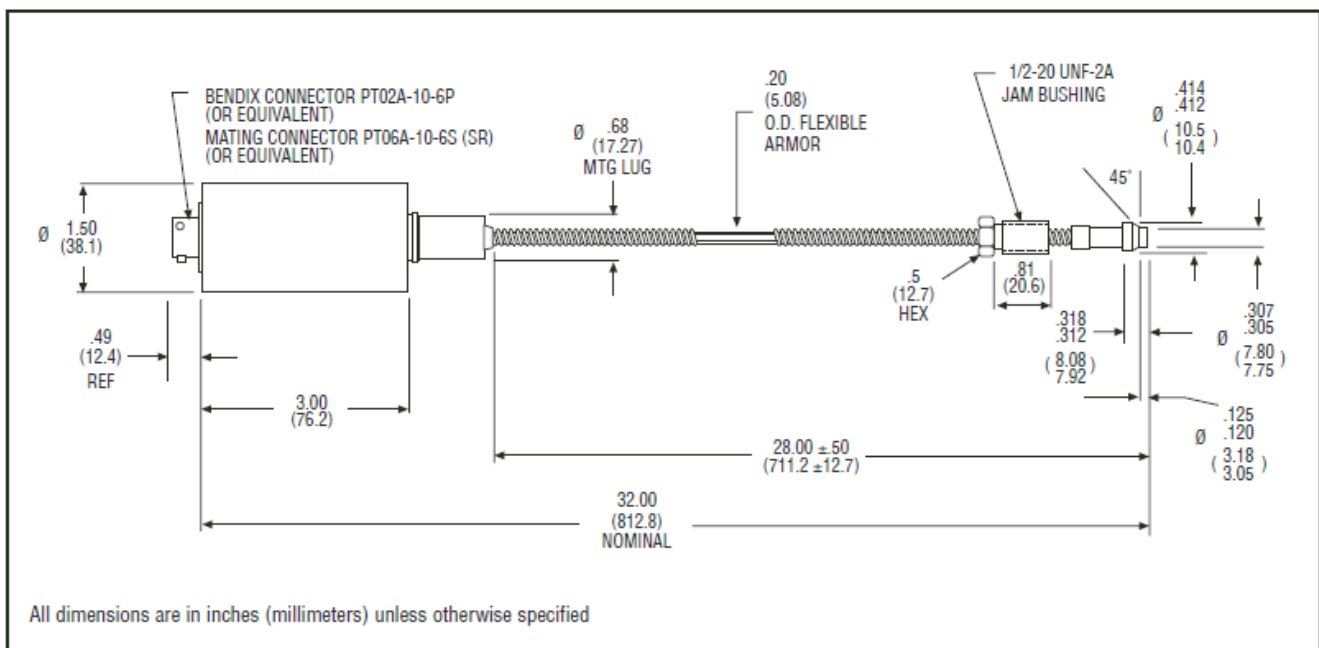
### Transducer Diaphragm:

<b>Maximum Diaphragm Temp:</b>	750°F (400°C)
<b>Zero Shift Due to Temp Change:</b>	<20 psi/100°F (36 psi/100°C)
<b>Mounting Torque:</b>	500 inch - lbs. maximum
<b>Maximum Pressure:</b>	2 x range or 35,000 psi, whichever is less
<b>Material in Contact with Pressure Media:</b>	Inconel 718
<b>Weight:</b>	1.5 lbs.
<b>Excitation:</b>	10 Vdc recommended, 12 Vdc maximum
<b>Internal Shunt Calibration:</b>	80% FSO ±1.0%
<b>Insulation Resistance:</b>	1,000 megohms at 50 Vdc

### Electronic Housing:

<b>Zero Shift Due to Temp Change:</b>	±0.5% full scale/°F maximum (±0.10% full scale/°C)
<b>Sensitivity Shift Due to Temp Change:</b>	±0.02% full scale/°F maximum (±0.04% full scale/°C)

## Dimensions



## Ordering Guide

PT465XL-XX

Pressure Range (psi)	
3M	= 0 - 3,000
5M	= 0 - 5,000
7.5M	= 0 - 7,500
10M	= 0 - 10,000
15M	= 0 - 15,000

Note: 30,000 psi model available. Please consult factory.

- Mating connector P/N711600 or 6-pin cable assembly sold separately.

©2016. Dynisco reserves the right to make changes without notice.  
Refer to [www.dynisco.com](http://www.dynisco.com) for access to Operator Manual and other support documentation.  
DDS276084 DOC110813



[www.dynisco.com](http://www.dynisco.com)



### Dynisco

38 Forge Parkway  
Franklin, MA 02038  
USA

Hotline 1-800-Dynisco  
www.dynisco.com  
Phone +1 508 541 9400  
Fax +1 508 541 6206  
Email [infoinst@dynisco.com](mailto:infoinst@dynisco.com)

### Dynisco Europe, GmbH

Pfaffemstr. 21 Phone +49 7131 297 0  
74078 Hellbronn Fax +49 7131 297 166  
Germany Email [dyniscoeurope@dynisco.com](mailto:dyniscoeurope@dynisco.com)

### Dynisco Shanghai

Building 7A, No. 568 Phone +86 21 34074072-819  
Longpan Rd Malu Toll Free +86 400 728 9117  
Jiading, 201801 China Fax +86 21 34074025