



From lab to production,
providing a window into the process



PT4655XL & PT4656XL

AMPLIFIED OUTPUT NOZZLE
PRESSURE TRANSDUCERS FOR
INJECTION MOLDING APPLICATIONS

Description

Models PT4655XL and PT4656XL measure polymer melt pressure in an injection molding machine nozzle or a hot runner. A protective flexible armored cable extends from its electronic housing to the tip for unmatched strength and increased life. Each model has a built-in amplifier to provide 0 to 5 Vdc (PT4655XL), 1 to 6 Vdc (PT4655BXL), 0 to 10 Vdc (PT4656XL) or 1 to 11 Vdc (PT4656BXL) output to data acquisition or SPC/SQC programs. The amplified signal offers better resistance to noise than standard mV/V strain gage outputs.

Features

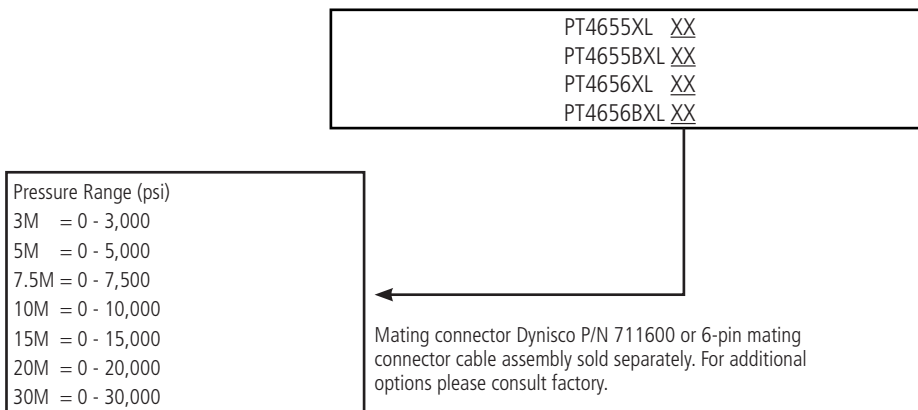
- 1" flex bend radius
- Inconel 718 diaphragm
- Free spinning jam nut
- Better than $\pm 0.5\%$ accuracy
- Up to 750°F (400°C) melt temperatures
- Adjustable zero and span
- 0 to 5 Vdc, 1 to 6 Vdc, 0 to 10 Vdc or 1 to 11 Vdc outputs

Performance Characteristics	
Ranges (psi):	0 - 3,000, 0 - 5,000, 0 - 7,500, 0 - 10,000, 0 - 15,000, 0 - 20,000, 0 - 30,000
Accuracy:	±1% FSO
Repeatability:	±0.2% FSO
Mounting Torque:	500 inch - lbs. maximum
Maximum Pressure:	2 x full range or 35,000 psi (whichever is less)
Material In Contact With Pressure Media:	Inconel 718
Weight:	2 lbs.

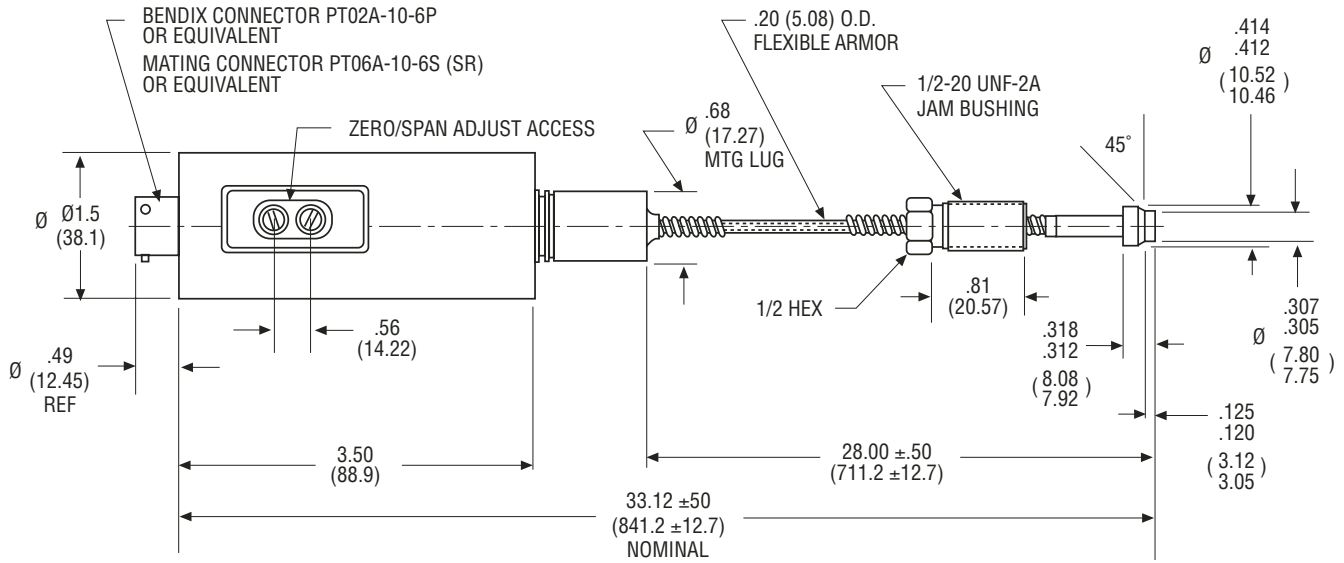
Temperature Characteristics	
Transducer Diaphragm:	
Maximum Diaphragm Temperature:	750°F (400°C)
Zero Shift Due To Temperature Change:	<20 psi/100°F (36 psi/100°C)
Electronics Housing:	
Operating Temperature Range	-20°F to +160°F (-29°C to +71°C)
Temperature Effects Over A Compensated Range +30°F To +160°F (-1°C To +71°C):	
Thermal Effect On Zero:	±0.05% full scale/°F
Thermal Effect On Span:	±0.02% full scale/°F

Electrical Characteristics	
PT4655XL:	
Output:	0 to 5 Vdc
Input Voltage:	11 to 32 Vdc or ±12 to ±16 Vdc
Load Resistance:	2,000 Ohms minimum
Zero Balance Adjustment Range:	±15%
Span Adjustment Range:	±15%
PT4655BXL:	
Output:	Output: 1 to 6 Vdc
Input Voltage:	11 to 32 Vdc or ±12 to ±16 Vdc
Load Resistance:	2,000 Ohms minimum
Zero Balance Adjustment Range:	±15%
Span Adjustment Range:	±15%
PT4656XL:	
Output:	0 to 10 Vdc
Input Voltage:	16 to 32 Vdc or ±14 to ±16 Vdc
Load Resistance:	2,000 Ohms minimum
Zero Balance Adjustment Range:	±15%
Span Adjustment Range:	±15%
PT4656BXL:	
Output:	1 to 11 Vdc
Input Voltage:	16 to 32 Vdc or ±14 to ±16 Vdc
Load Resistance:	2,000 Ohms minimum
Zero Balance Adjustment Range:	±15%
Span Adjustment Range:	±15%

Ordering Guide for PT4655XL & PT4656XL Series



Dimensions



All dimensions are in inches (millimeters) unless otherwise specified

All dimensions are in inches (mm) unless otherwise specified.
 ©2016, Dynisco reserves the right to make changes without notice.
 Refer to www.dynisco.com for access to Operator Manual and other support documentation.
 DSPT46556XL
 Rev: 1216



www.dynisco.com

Dynisco

38 Forge Parkway
 Franklin, MA 02038
 USA

Hotline 1-800-Dynisco
www.dynisco.com
 Phone +1 508 541 9400
 Fax +1 508 541 6206
 Email infoinst@dynisco.com

Dynisco Europe, GmbH

Pfaffemstr. 21 Phone +49 7131 297 0
 74078 Hellbronn Fax +49 7131 297 166
 Germany Email dyniscoeurope@dynisco.com

Dynisco Shanghai

Building 7A, No. 568 Phone +86 21 34074072-819
 Longpan Rd Malu Toll Free +86 400 728 9117
 Jiading, 201801 China Fax +86 21 34074025