

PT418/419 Alternate Fill Pressure Sensors (Oil)

IDEAL FOR FOOD OR MEDICAL APPLICATIONS



Description

Model PT418/419, uses an oil fill that meets the requirements of the FDA and the USDA to allow accurate pressure measurements in processes where mercury is not allowed. The PT418/419 is the ideal unit for medical and food packaging, food extrusion and medical applications.

Features

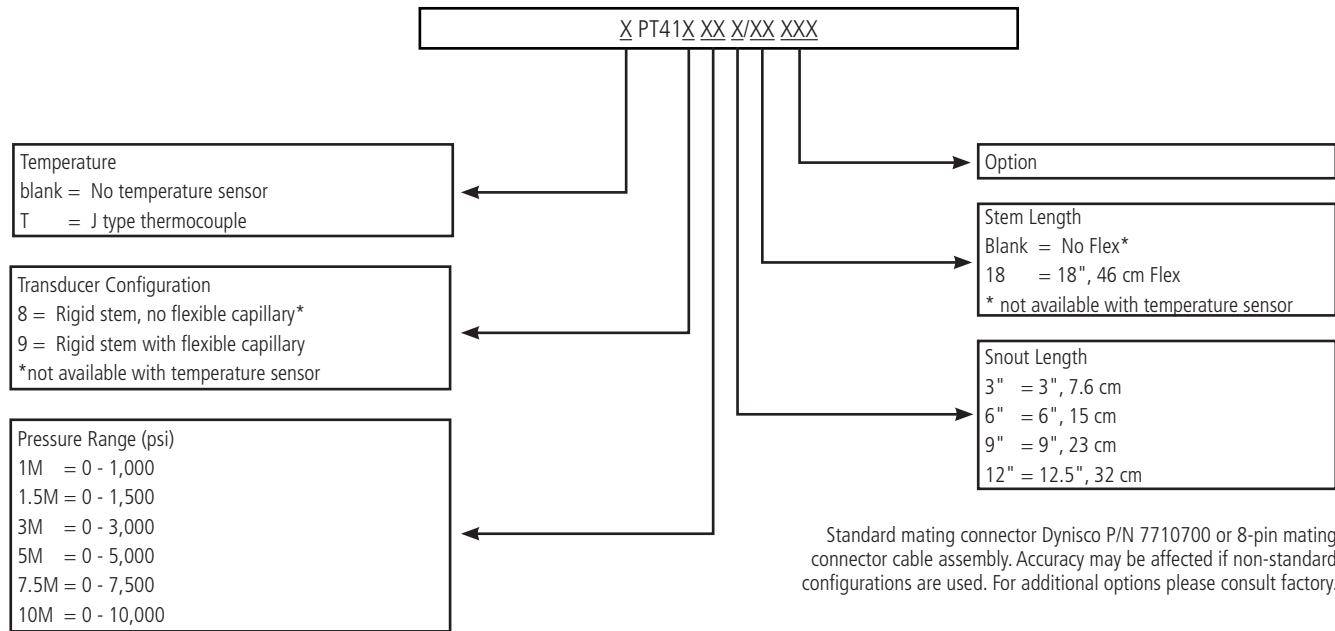
- Better than $\pm 0.5\%$ accuracy
- Special fill material
- 0 - 1000 to 0 - 10,000 psi
- 3.33 mV/V FSO
- Fill material meets FDA and USDA requirements

Performance Characteristics	
Output:	3.33 mV/V \pm 2.0%
Input Voltage:	10 Vdc recommended, 12 Vdc maximum
Accuracy:	\pm 0.5% FSO*
Repeatability:	\pm 0.2% FSO
Configuration:	Four-arm bonded foil Wheatstone bridge strain gage
Bridge Resistance:	Input: 345 Ohms minimum Output: 350 Ohms \pm 10%
Over Pressure:	2 X FSO
Zero Balance:	\pm 10% FSO
Internal Shunt Calibration (R-Cal):	80% FSO \pm 1%
Insulation Resistance:	1000 megohms @ 50 Vdc

Temperature & Mechanical Characteristics	
Max Diaphragm Temperature:	527°F (275°C)
Zero Shift (Due To Temperature Change):	36 psi/100°F Typical (65 psi/100°C)
Electronics Operating Temperature:	250°F (121°C)
Zero Shift (Due to Temperature Change):	\pm 0.05% FS/°F max (\pm 0.1% FS/°C max)
Sensitivity Shift (Due to Temperature Change):	\pm 0.02% FS/°F max (\pm 0.04% FS/°C max)
Mounting Torque:	500 inch/lbs. maximum
Standard Wetted Parts:	Inconel 718

*The organic oil fill may be susceptible to gas generation at high temperatures for extended periods which may affect zero value (and therefore accuracy). Request the product manual for a full explanation and recommended procedure to eliminate any observed offset.

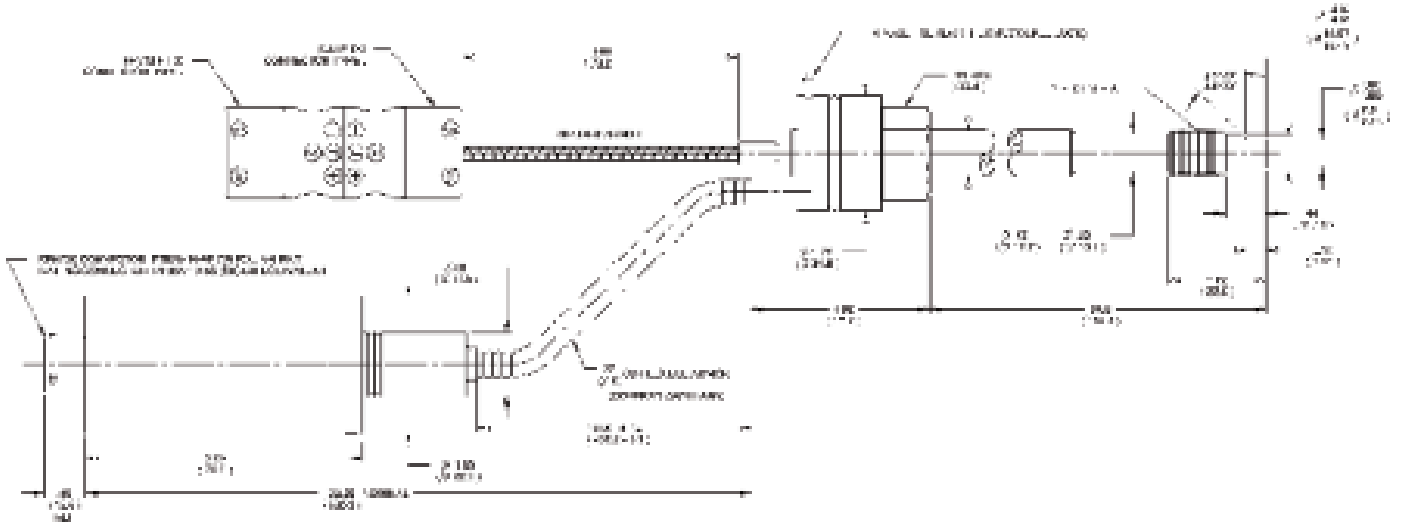
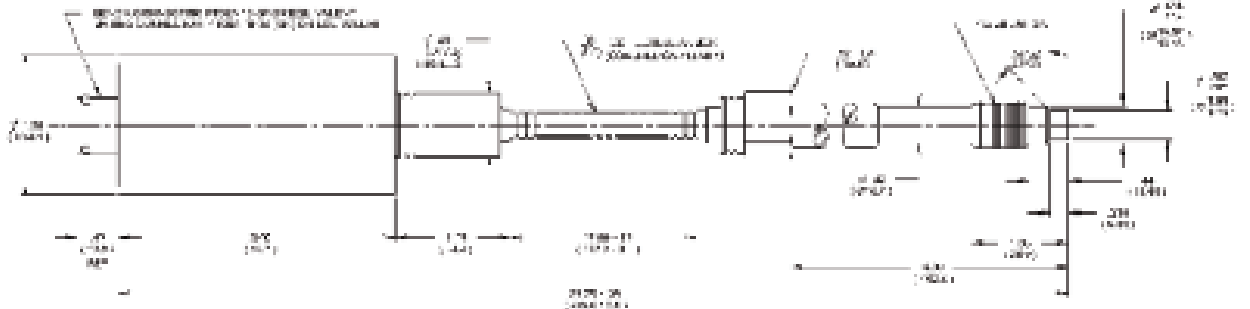
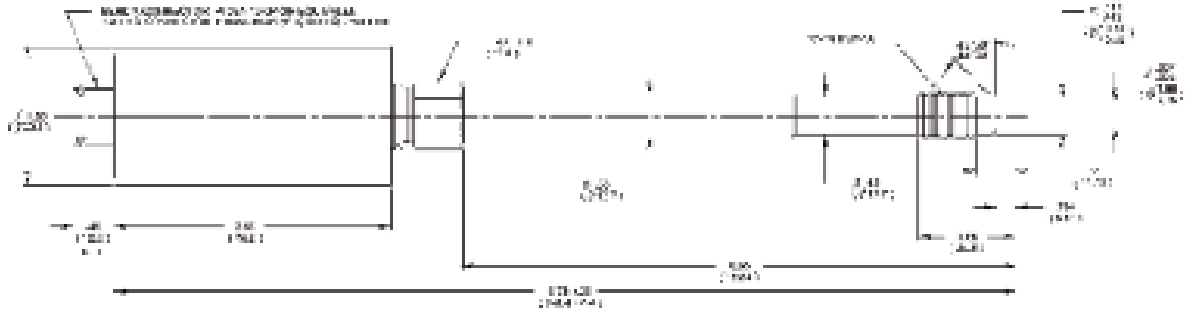
Ordering Guide for PT418/419



Dimensions

CONTRACTOR WITHING	FUNCTION
A	DETAIL
B	NOZZLE
C	EXHAUSTION
D	EXHAUSTION
E	INTERNAL
F	CLAMP BRACKET

NOTES:
 1. DIMENSIONS ARE IN INCHES (MILLIMETERS)



All dimensions are inches (mm) unless otherwise specified.
 ©2016. Dynisco reserves the right to make changes without notice.
 Refer to www.dynisco.com for access to Operator Manual and other support documentation.
 DSPT41819
 Rev: 0117



www.dynisco.com

Dynisco
 38 Forge Parkway
 Franklin, MA 02038
 USA
 Hotline 1-800-Dynisco
 www.dynisco.com
 Phone +1 508 541 9400
 Fax +1 508 541 6206
 Email infoinst@dynisco.com

Dynisco Europe, GmbH
 Pfaffenstr. 21
 74078 Hellbronn
 Germany
 Phone +49 7131 297 0
 Fax +49 7131 297 166
 Email dyniscoeurope@dynisco.com

Dynisco Shanghai
 Building 7A, No. 568
 Longpan Rd Malu
 Jiading, 201801 China
 Phone +86 21 34074072-819
 Toll Free +86 400 728 9117
 Fax +86 21 34074025