

PT415

FOOD EXTRUSION PRESSURE TRANSDUCER



Description

Dynisco's PT415 Series of washdown pressure transducers are the ideal choice for food and medical extrusion measurements requiring a fill material that meets FDA and USDA requirements. Model PT415 uses a special high temperature fill (NaK, Sodium Potassium) and an Inconel diaphragm to allow accurate pressure measurements in processes with temperatures as high as 1000°F. The transducers are supplied with a high accuracy (0.5%), great repeatability and reliability. An 1/2-14 NPT conduit fitting or 6-pin hermetically sealed bendix-style connector is used for easy connect and disconnect.

Features

- 3.33 mV/V full scale output
- Accuracy of better than $\pm 0.5\%$
- Pressure ranges from 0 - 500 psi to 0 - 10,000 psi
- All welded stainless steel with washdown capability
- FDA recognized safe (GRAS) for food and medical applications
- Available with hermetic connector or conduit fitting
- Internal 80% shunt calibration
- CE approved

Performance Characteristics

Ranges (psi):	0 - 500 0 - 750 0 - 1,000 0 - 1,500 0 - 3,000 0 - 5,000 0 - 7,500 0 - 10,000
Accuracy:	±0.5% FSO
Repeatability:	±0.2% FSO
Mounting torque:	500 inch - lbs. maximum
Maximum pressure:	2 x full range
Material in contact with pressure media:	15 - 5 PH stainless steel, Dymax® coated
Weight:	2 lbs.

Electrical Characteristics

Configuration:	Four active arm bonded Wheatstone bridge strain gage
Bridge resistance:	Input: 345 Ohms minimum; Output: 350 Ohms ±10%
Full scale output:	3.3 mV/V ±2%
Internal shunt calibration (R-Cal):	80% FSO ±0.5%
Insulation resistance:	1,000 megohms at 50 Vdc
Zero balance:	±5% FSO

Temperature Characteristics

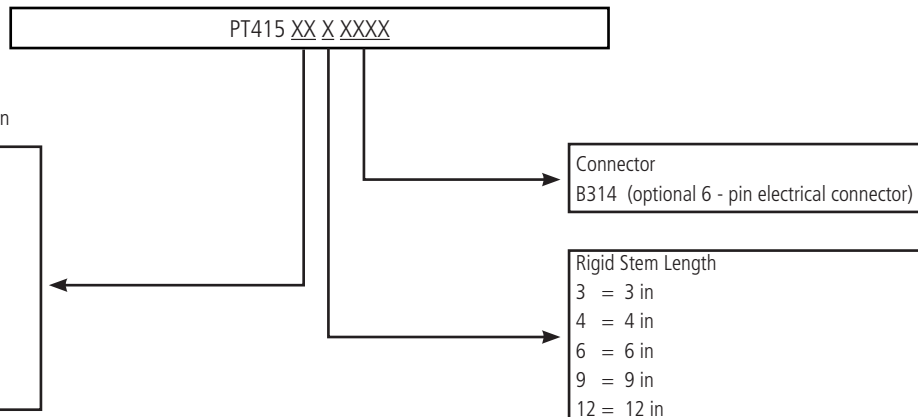
Transducer diaphragm:	
Maximum diaphragm temperature:	750°F (400°C)
Zero shift due to temperature change:	15 psi/100°F maximum (27 psi/100°C)
Electronics housing:	
Maximum temperature:	250°F (121°C)
Zero shift due to temperature change:	±0.01% full scale/°F maximum (±0.02% full scale/°C)
Sensitivity shift due to temperature change:	±0.005% full scale/°F maximum (±0.01% full scale/°C maximum) ±0.01%/°F maximum 500, 750, 1,000 psi (±0.02% full scale/°C maximum)

Ordering Guide for PT415

Delivery

Please call for specific delivery information

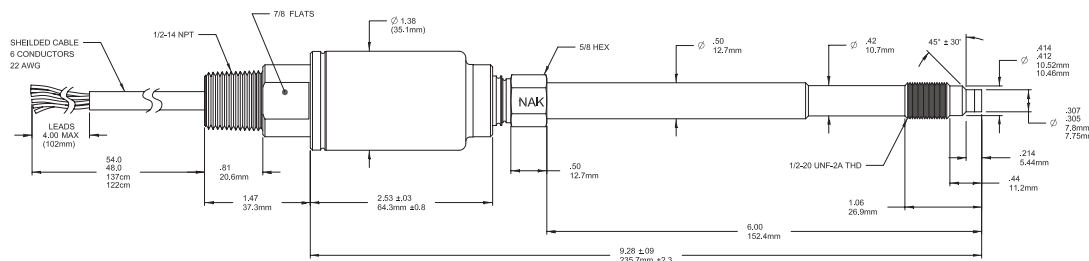
Pressure Range (psi)	
5C	= 0 - 500
7.5C	= 0 - 750
1M	= 0 - 1,000
1.5M	= 0 - 1,500
3M	= 0 - 3,000
5M	= 0 - 5,000
7.5M	= 0 - 7,500
10M	= 0 - 10,000



Mating connector P/N711600 or 6 - pin cable assembly for B314 option sold separately.

Transducer Options: Call for complete information on stem length, diaphragm and thread coatings, and compensation.

Dimensions



All dimensions are in inches (millimeters) unless otherwise specified

All dimensions are inches (mm) unless otherwise specified.
 ©2016. Dynisco reserves the right to make changes without notice.
 Refer to www.dynisco.com for access to Operator Manual and other support documentation.
 DSPT415
 Rev: 1216



www.dynisco.com



Dynisco
 38 Forge Parkway
 Franklin, MA 02038
 USA

Hotline 1-800-Dynisco
www.dynisco.com
 Phone +1 508 541 9400
 Fax +1 508 541 6206
 Email infoinst@dynisco.com

Dynisco Europe, GmbH
 Pfaffenstr. 21 Phone +49 7131 297 0
 74078 Hellbronn Fax +49 7131 297 166
 Germany Email dyniscoeurope@dynisco.com

Dynisco Shanghai
 Building 7A, No. 568 Phone +86 21 34074072-819
 Longpan Rd Malu Toll Free +86 400 728 9117
 Jiading, 201801 China Fax +86 21 34074025