

Portable Pressure Source Model PPS1100



Description

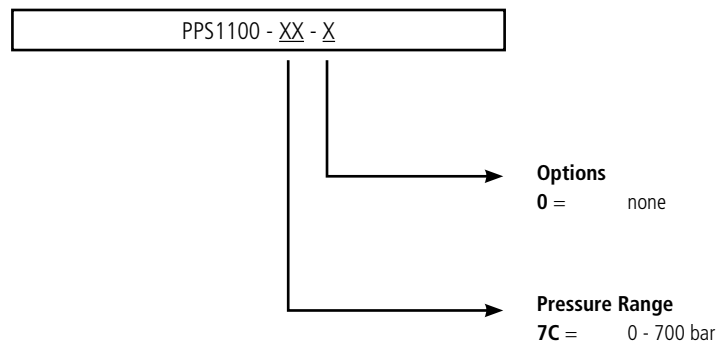
The Portable Pressure Source PPS1100 offers quick, efficient, and accurate means for checking pressure transducers in the field. To perform a pressure transducer test, simply remove the transducer from the process and install it in the pressure port on the PPS1100 manifold. Turn the PPS1100 on and select the required engineering unit. Adjust zero and pump the pressure source until the desired pressure readout on the PPS1100 to the pressure transducer readout to verify the transducer's accuracy.

Features

- Rugged but easy to carry
- Weight 3.9 kg only
- Accuracy +/- 0.1%
- Battery powered > 200 days
- Multiple pressure adaptors available
- Pressure range of 0 - 700 bar
- Switch selectable bar / PSI / kPA
- Memory function up to 900 measurements
- Serial communication
- Various display and test functions

Technical Data / Operating Data	
Pressure Range:	0 - 700 bar
Units:	ar / PSI / kPA / mH ₂ O
Pressure Port:	1/2" 20UNF others on request
Accuracy:	+/- 0.1% f.s.v.
Resolution:	100 mbar
Sample Rate:	500 ms
Memory:	900 positions (8000 optional)
Oil Volume:	57 ml (HLP 22 BP)
Battery:	3.6 V Lithium
Battery Life:	> 200 days
Operating Temperature:	0 °C to + 50 °C
Dimensions (DxWxH):	315 x 153 x 205 mm
Weight:	3.9 kg

Order Specifications

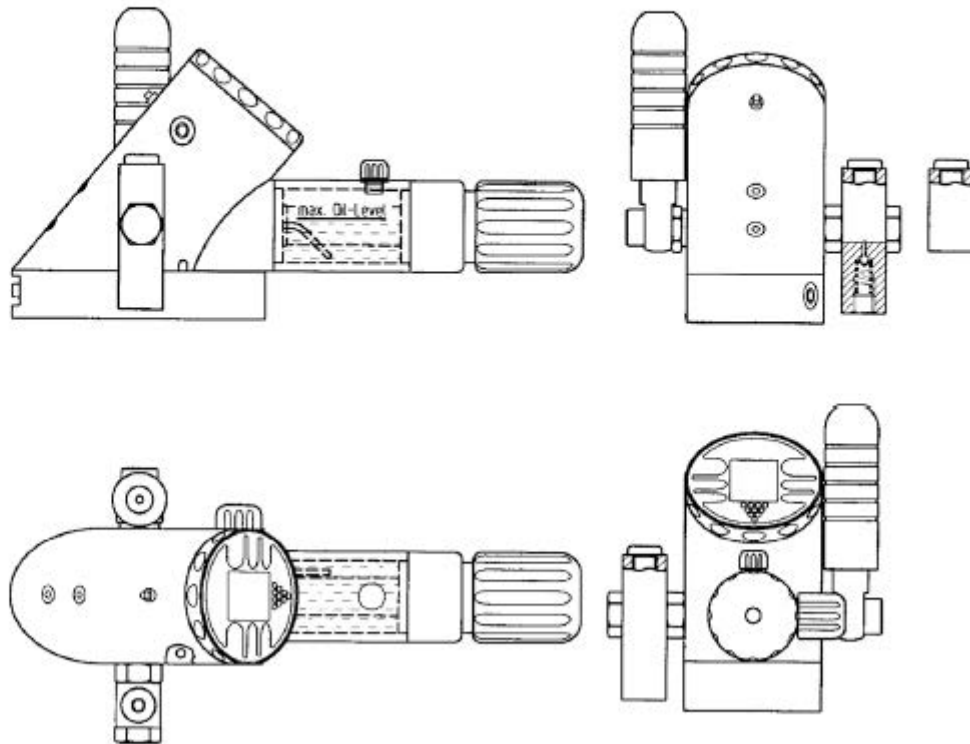


One adapter 1/2" 20UNF 2B is included at no additional charge.
Other pressure ports on request.

Dimensions

Model PPS1100

Dimensions (D x W x H) 315 x 153 x 205 mm



All dimensions are inches (mm) unless otherwise specified.
 ©2016. Dynisco reserves the right to make changes without notice.
 Refer to www.dynisco.com for access to Operator Manual and other support documentation.
 DSPT450TFA
 Rev: 1218



www.dynisco.com

Dynisco

38 Forge Parkway
 Franklin, MA 02038
 USA

Hotline 1-800-Dynisco
www.dynisco.com
 Phone +1 508 541 9400
 Fax +1 508 541 6206
 Email infoinst@dynisco.com

Dynisco Europe, GmbH

Pfaffenstr. 21 Phone +49 7131 297 0
 74078 Hellbronn Fax +49 7131 297 166
 Germany Email dyniscoeurope@dynisco.com

Dynisco Shanghai

Building 7A, No. 568 Phone +86 21 34074072-819
 Longpan Rd Malu Toll Free +86 400 728 9117
 Jiading, 201801 China Fax +86 21 34074025