

PT4654XL

REPEATABLE, RELIABLE
PRESSURE MEASUREMENTS



Description

The Dynisco PT4654XL Series transmitter is a $\pm 0.5\%$ sensor ideal for injection molding machine nozzles or hot runners to measure polymer melt pressure. The PT4654XL transmitter provides the industry standard 4 - 20 mA amplified signal to data acquisition or SPC/SQC programs. The PT4654XL comes equipped with adjustable zero and span pots. The PT4654XL features a 1/2-20 UNF jam nut for simple and easy installation in space restricted areas. The transmitter can be supplied in a variety of lengths to meet the requirements of the application.

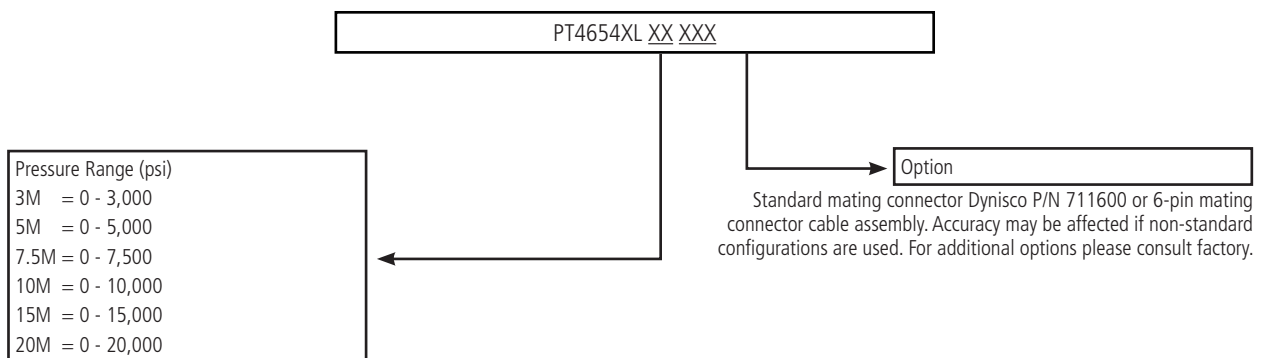
Features

- Adjustable zero and span
- Accuracy better than $\pm 1.0\%$
- Inconel diaphragm
- 4 - 20 mA output
- 0 - 3,000 to 0 - 20,000 psi
- Internal 80% shunt calibration

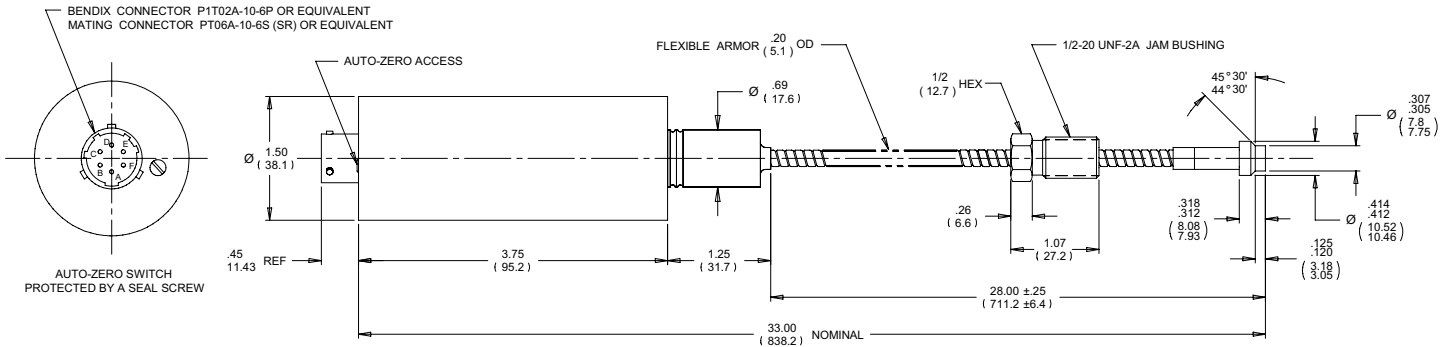
| Performance Characteristics | |
|-------------------------------------|---|
| Output: | 4 - 20 mA |
| Input Voltage: | 14 - 36 Vdc |
| Combined Error: | ± 1.0% FSO (Including Linearity, Repeatability & Hysteresis) |
| Repeatability: | ± 0.2%FSO |
| Configuration: | Four-arm bonded foil Wheatstone bridge strain gage |
| Load Resistance: | 0 - 1,100 Ohms |
| Over Pressure: | 2 X FSO or 35,000 psi (whichever is less) |
| Zero Balance Adjustment Range: | ± 0.5%, min. -2% to 5% fs |
| Internal Shunt Calibration (R-Cal): | 80% FSO ± 0.5% |
| Insulation Resistance: | 1000 megohms @ 50 Vdc |

| Temperature & Mechanical Characteristics | |
|--|--|
| Max Diaphragm Temperature: | 750°F (400°C) |
| Zero Shift (due to temperature change): | < 20 psi/100oF Typical (36 psi/100oC) |
| Electronics Operating Temperature: | -20°F to 185°F (-25°C to 85°C) |
| Zero Shift Due to Temperature Change: | ± 0.05% FS/°F max (± 0.10% FS/°C max) |
| Mounting Torque: | 500 inch/lbs. maximum |
| Standard Wetted Parts: | Inconel 718 |

Ordering Guide for PT4654XL Series



Dimensions



| CONNECTOR WIRING | |
|------------------|-----------------------|
| PIN | FUNCTION |
| A | SIGNAL + |
| B | SIGNAL - |
| C | NO CONNECTION |
| D | AUTO-ZERO |
| E | INTERNAL CAL RESISTOR |
| F | GROUND |

NOTES
1. DIMENSIONS ARE IN INCHES (MILLIMETERS)

All dimensions are inches (mm) unless otherwise specified.
©2016. Dynisco reserves the right to make changes without notice.
Refer to www.dynisco.com for access to Operator Manual and other support documentation.
DSPT4654XL
Rev: 1216



www.dynisco.com

Dynisco
38 Forge Parkway
Franklin, MA 02038
USA

Hotline 1-800-Dynisco
www.dynisco.com
Phone +1 508 541 9400
Fax +1 508 541 6206
Email infoinst@dynisco.com

Dynisco Europe, GmbH
Pfaffenstr. 21 Phone +49 7131 297 0
74078 Hellbronn Fax +49 7131 297 166
Germany Email dyniscoeurope@dynisco.com

Dynisco Shanghai
Building 7A, No. 568 Phone +86 21 34074072-819
Longpan Rd Malu Toll Free +86 400 728 9117
Jiading, 201801 China Fax +86 21 34074025