

PT311JA Flush Mounted Pressure Sensors

RELIABLE AND ACCURATE
PRESSURE MEASUREMENT



Description

Dynisco's PT311JA flush diaphragm pressure transducer is designed for applications requiring a zero volume pressure port. The flush diaphragm improves frequency response and has excellent cleanability. The PT311JA has a full scale output of 3mV/V and offers reliable and accurate pressure measurement of gases, viscous liquids and slurries.

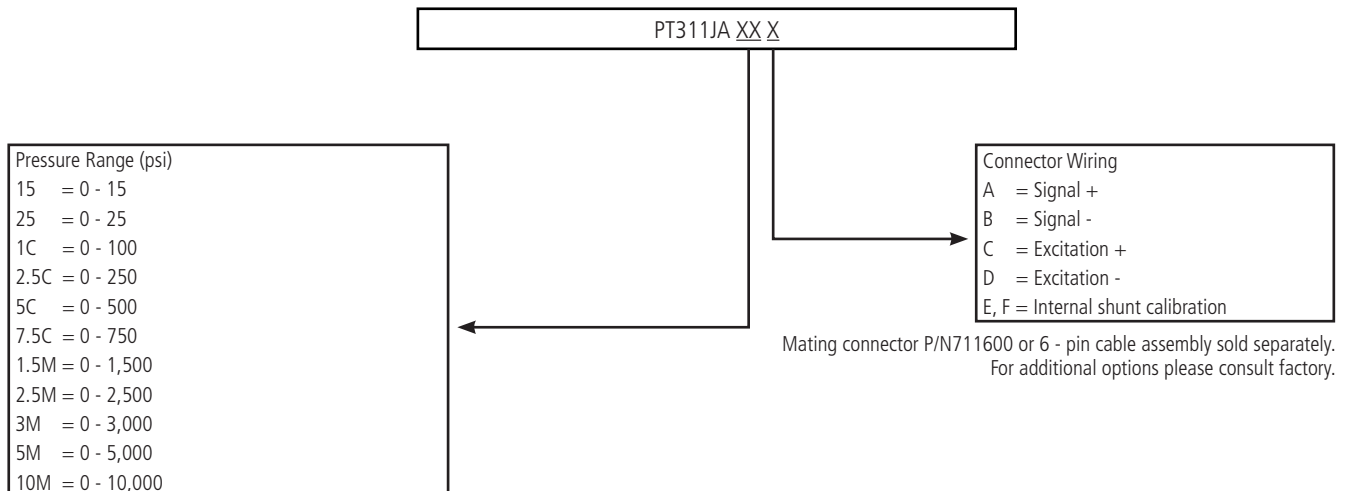
Features

- Flush diaphragm
- Accuracy $\pm 0.50\%$
- Zero volume pressure port
- 15 to 10,000 psi
- 3 mV/V output
- Internal shunt calibration

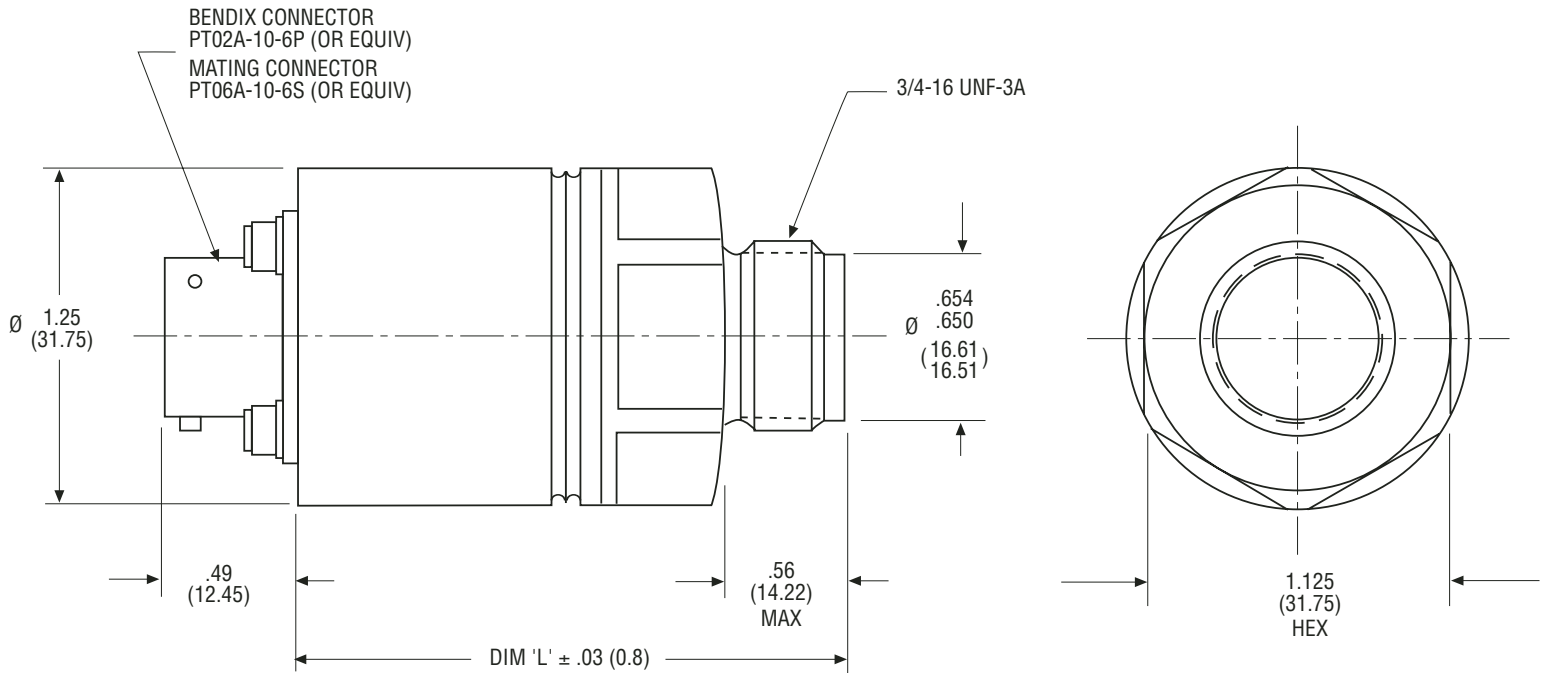
Performance Characteristics	
Pressure Range (psi):	0 - 15, 0 - 25, 0 - 100, 0 - 250, 0 - 500, 0 - 750, 0 - 1,500, 0 - 2,500, 0 - 3,000, 0 - 5,000, 0 - 10,000
Accuracy:	±0.5% full scale including linearity, hysteresis and repeatability
Electrical Characteristics	
Full Scale Output:	3 mV/V minimum
Excitation:	10 Vdc recommended, 12 Vdc maximum
Insulation Resistance:	1,000 megohms @ 50 Vdc
Bridge Resistance:	350 Ohms nominal
Internal Shunt Calibration:	80% full scale ±1.0%

Temperature Characteristics	
Operating Range:	65° to +250°F (-54°C to +120°C)
Compensated Range	0° to 150°F (-18°C to +66°C)
Temperature Effect On Zero:	±0.01% full scale/°F (±0.018% full scale/°C)
Temperature Effect On Span:	±0.02% full scale/°F (±0.036% full scale/°C)
Mechanical Characteristics	
Safe Overpressure:	2 x rated pressure
Burst Pressure:	4 x rated pressure
Wetted Material:	17 - 4 PH stainless steel
Cover Material:	303, 304 stainless steel
Pressure Port Seal:	Transducer supplied with DYNA-SEAL™ (P/N 633014)
Weight:	Approximately 5 ounces

Ordering Guide for PT311JA Pressure Sensors



Dimensions



Pressure Ranges (psi)	Dim.L
15 - 250 psia	2.94 (74.68)
15 - 250 psig	2.15 (54.61)
500 - 10,000 psia or psig	2.15 (54.61)

All dimensions are inches (mm) unless otherwise specified.



All dimensions are inches (mm) unless otherwise specified.
©2016. Dynisco reserves the right to make changes without notice.
Refer to www.dynisco.com for access to Operator Manual and other support documentation.
DSPT311JA
Rev: 0717

www.dynisco.com

Dynisco

38 Forge Parkway
Franklin, MA 02038
USA

Hotline 1-800-Dynisco
www.dynisco.com
Phone +1 508 541 9400
Fax +1 508 541 6206
Email infoinst@dynisco.com

Dynisco Europe, GmbH

Pfaffemstr. 21 Phone +49 7131 297 0
74078 Hellbronn Fax +49 7131 297 166
Germany Email dyniscoeurope@dynisco.com

Dynisco Shanghai

Building 7A, No. 568
Longpan Rd Malu
Jiading, 201801 China

Phone +86 21 34074072-819
Toll Free +86 400 728 9117
Fax +86 21 34074025